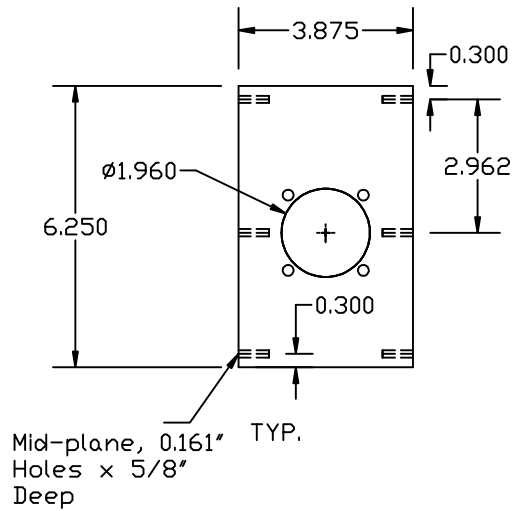


Four 0.24" Holes  
on 60 mm (2.362")  
Bolt Circle, for  
M6 Screws

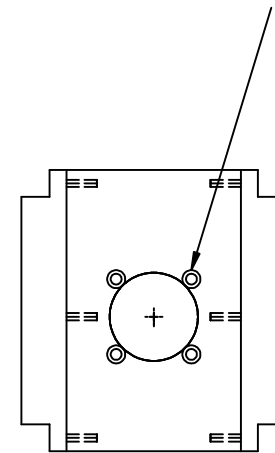
Item 1



Mid-plane, 0.161"  
Holes x 5/8"  
Deep

Item 2

M6 x 35 mm long SST  
Socket Head Cap Screws,  
2 mm thick lock washers



Items 1 and 2  
Assembled

3/8" Aluminum 6061 or 5052

JPods LLC It Costs Less to Move Less		
Drawing ID	0001A0032	
Title/Description	Motor Support Plates	Rev. 1
	Drawn by: Gordon Israelson	27 December 2006
	Checked by: NA	
Drawing Change:	NA	Sheet 1 of 1