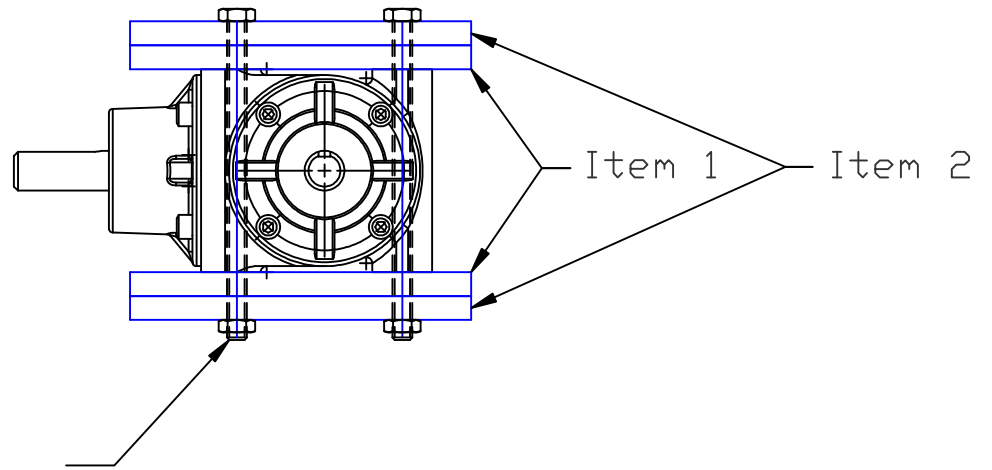
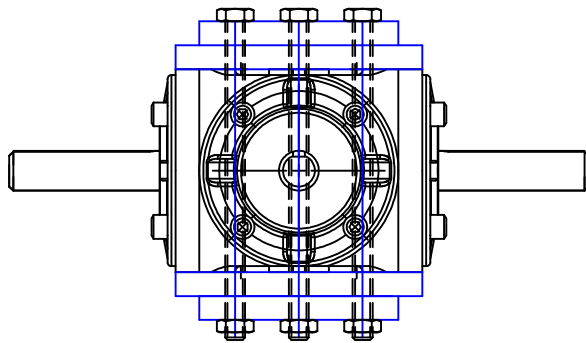
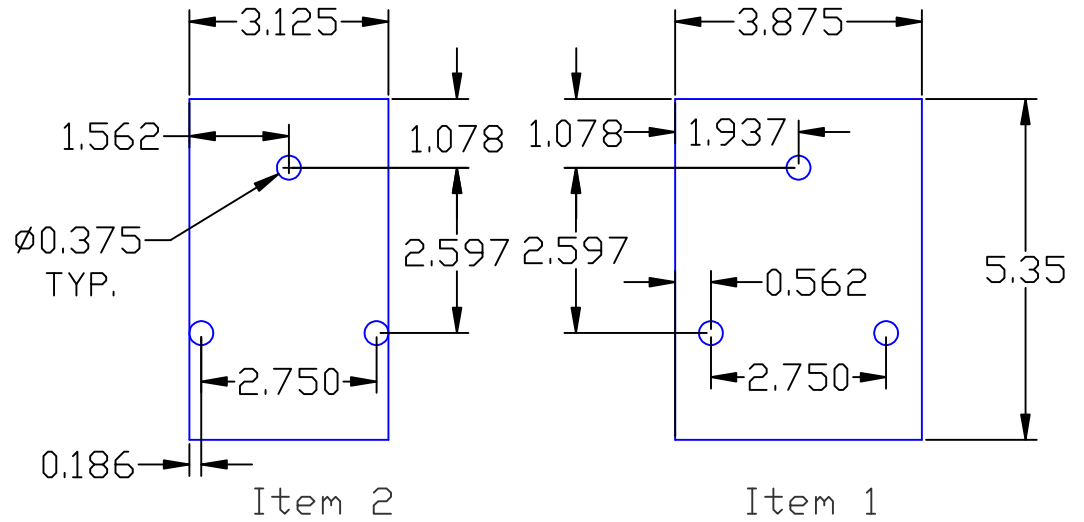
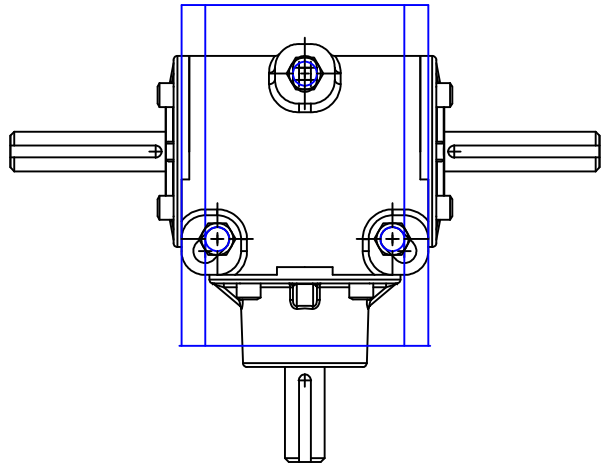


Support Plates Mounted
onto Gear Box



5/16" - 18 x 5" long Hex
Head SST Machine Screw,
Locknut

JPods It Costs Less to Move Less		
Drawing ID	0001C0033	
Title/Description	Gear Box Support Plates	Rev. 1
	Drawn by: Gordon Israelson	27 December 2006
	Checked by: NA	
Drawing Change:	NA	Sheet 1 of 1